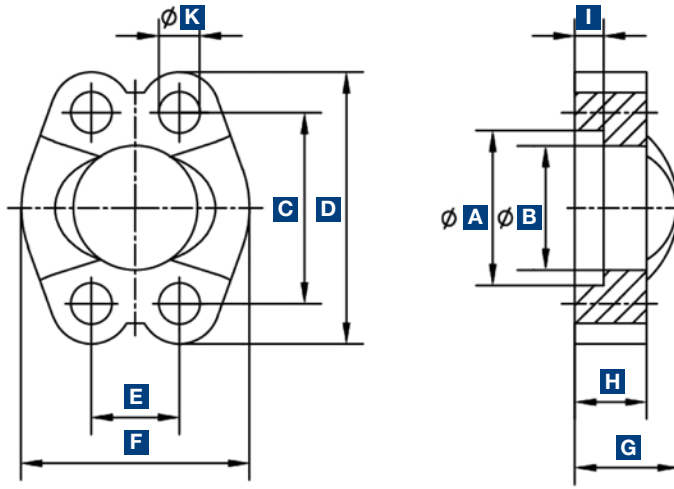


ANFIELD KIT INCLUDES:

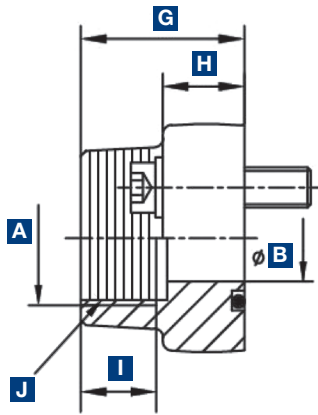
- 2 Split flange halves
- 4 Hex head screws with lock washers
- 1 Buna O-Ring

SIZE (in.)	KIT PART NO.	DIMENSIONS (in.)										MOUNTING HARDWARE		WT (lbs)	MAX WP (psi)
		A	B	C	D	E	F	G	H	I	K	O-RING	HHCS		
CODE 61 SPLIT FLANGE															
1/2"	F8SF0	1.22	0.96	1.50	2.13	0.34	0.91	0.75	0.51	0.24	0.33	210	5/16-18X1.25	0.15	4980
3/4"	F12SF0	1.53	1.26	1.88	2.56	0.44	1.02	0.87	0.56	0.24	0.41	214	3/8-16X1.25	0.22	4980
1"	F16SF0	1.78	1.53	2.06	2.76	0.52	1.16	0.94	0.63	0.30	0.41	219	3/8-16X1.25	0.26	4480
1-1/4"	F20SF0	2.04	1.72	2.31	3.11	0.59	1.44	0.87	0.55	0.30	0.47	222	7/16-14X1.50	0.35	3560
1-1/2"	F24SF0	2.41	2.00	2.75	3.66	0.70	1.63	0.98	0.63	0.30	0.53	225	1/2-13X1.50	0.55	2840
2"	F32SF0	2.84	2.47	3.06	4.02	0.84	1.91	1.02	0.63	0.35	0.53	228	1/2-13X1.50	0.60	2840
2-1/2"	F40SF0	3.34	2.95	3.50	4.49	1.00	2.13	1.50	0.75	0.35	0.53	232	1/2-13X1.75	0.93	2280
3"	F48SF0	4.03	3.58	4.19	5.28	1.22	2.58	1.61	0.87	0.35	0.67	237	5/8-11X1.75	1.37	1960
3-1/2"	F56SF0	4.53	4.03	4.75	5.98	1.38	2.76	1.10	0.87	0.42	0.67	241	5/8-11X2.00	1.57	500
4"	F64SF0	5.03	4.53	5.13	6.38	1.53	2.99	1.38	0.98	0.42	0.67	245	5/8-11X2.00	1.79	500
5"	F80SF0	6.43	5.53	6.00	7.24	1.81	3.56	1.61	1.10	0.42	0.67	253	5/8-11X3.00	2.54	500
CODE 62 SPLIT FLANGE															
1/2"	F8SFX0	1.28	0.97	1.59	2.20	0.36	0.94	0.87	0.63	0.28	0.33	210	5/16-18X1.25	0.20	5690
3/4"	F12SFX0	1.66	1.28	2	2.80	0.47	1.18	1.10	0.75	0.32	0.41	214	3/8-16X1.50	0.37	5690
1"	F16SFX0	1.91	1.53	2.25	3.19	0.55	1.38	1.30	0.94	0.35	0.47	219	7/16-14X1.75	0.60	5690
1-1/4"	F20SFX0	2.16	1.75	2.63	3.74	0.63	1.54	1.50	1.06	0.39	0.53	222	1/2-13X1.75	0.88	5690
1-1/2"	F24SFX0	2.53	2.03	3.13	4.41	0.72	1.87	1.69	1.18	0.47	0.67	225	5/8-11X2.25	1.50	5690
2"	F32SFX0	3.16	2.66	3.81	5.28	0.88	2.24	2.05	1.46	0.47	0.83	228	3/4-10X2.75	2.31	5690

SAE J518 Captive Flange Halves



SIZE (in.)	DRILLED PART NO.	TAPPED PART NO.	DIMENSIONS (in.)											WT (lbs)	MAX WP (psi)
			A	B	C	D	E	F	G	H	I	K (DRILLED)	K (TAPPED)		
CODE 61 CAPTIVE FLANGE															
1/2"	F8SFW	F8SFTW	1.22	0.96	1.50	2.13	0.69	1.81	0.75	0.51	0.24	0.33	5/16-18	0.31	4980
3/4"	F12SFW	F12SFTW	1.53	1.26	1.88	2.56	0.88	2.05	0.87	0.56	0.24	0.41	3/8-16	0.42	4980
1"	F16SFW	F16SFTW	1.78	1.53	2.06	2.76	1.04	2.32	0.94	0.63	0.30	0.41	3/8-16	0.49	4480
1-1/4"	F20SFW	F20SFTW	2.04	1.72	2.31	3.11	1.19	2.87	0.87	0.55	0.30	0.47	7/16-14	0.68	3560
1-1/2"	F24SFW	F24SFTW	2.41	2.00	2.75	3.66	1.41	3.27	0.98	0.63	0.30	0.53	1/2-13	1.08	2840
2"	F32SFW	F32SFTW	2.84	2.47	3.06	4.02	1.69	3.82	1.02	0.63	0.35	0.53	1/2-13	1.17	2840
2-1/2"	F40SFW	F40SFTW	3.34	2.95	3.50	4.49	2.00	4.29	1.50	0.75	0.35	0.53	1/2-13	1.79	2280
3"	F48SFW	F48SFTW	4.03	3.58	4.19	5.28	2.44	5.16	1.61	0.87	0.35	0.67	5/8-11	2.69	1960
3-1/2"	F56SFW	F56SFTW	4.53	4.03	4.75	5.98	2.75	5.51	1.10	0.87	0.42	0.67	5/8-11	3.11	500
4"	F64SFW	F64SFTW	5.03	4.53	5.13	6.38	3.06	5.98	1.38	0.98	0.42	0.67	5/8-11	3.57	500
5"	F80SFW	F80SFTW	6.43	5.53	6.00	7.24	3.63	7.13	1.61	1.10	0.42	0.67	5/8-11	5.07	500
CODE 62 CAPTIVE FLANGE															
1/2"	F8SFXW	F8SFXTW	1.28	0.97	1.59	2.20	0.72	1.89	0.87	0.63	0.28	0.33	5/16-18	0.40	5690
3/4"	F12SFXW	F12SFXTW	1.66	1.28	2	2.80	0.94	2.36	1.10	0.75	0.32	0.41	3/8-16	0.75	5690
1"	F16SFXW	F16SFXTW	1.91	1.53	2.25	3.19	1.09	2.76	1.30	0.94	0.35	0.47	7/16-14	1.28	5690
1-1/4"	F20SFXW	F20SFXTW	2.16	1.75	2.63	3.74	1.25	3.07	1.50	1.06	0.39	0.53	1/2-13	1.70	5690
1-1/2"	F24SFXW	F24SFXTW	2.53	2.03	3.13	4.41	1.44	3.74	1.69	1.18	0.47	0.67	5/8-11	2.98	5690
2"	F32SFXW	F32SFXTW	3.16	2.66	3.81	5.28	1.75	4.49	2.05	1.46	0.47	0.83	3/4-10	4.65	5690



O-RING
Fig 1

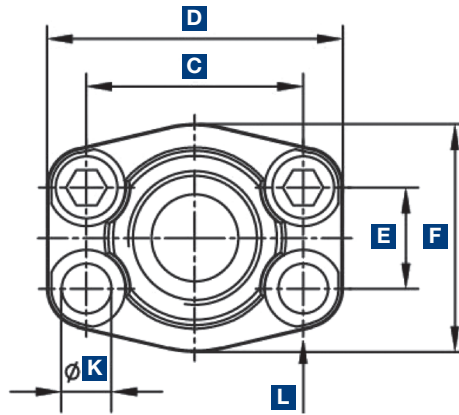
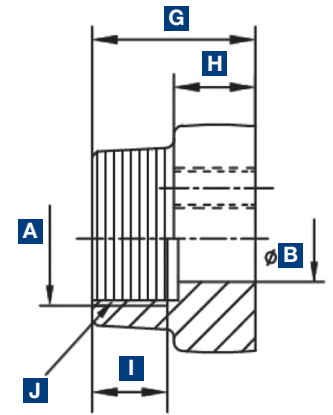


Fig 1

Fig 2

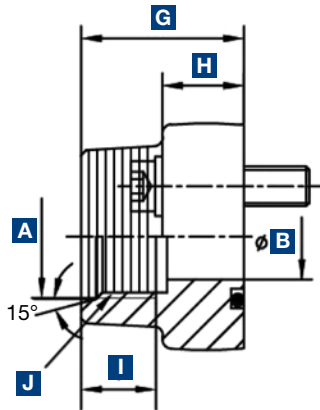


FLAT FACE
Fig 2

- O-Ring flange includes:
O-Ring, 4 bolts and
lock washers.

SIZE (in.)	O-RING PART NO. Fig 1	FLAT FACE PART NO. Fig 2	DIMENSIONS (in.)											MOUNTING HARDWARE		WT (lbs)	MAX WP (psi)	
			A	B	C	D	E	F	G	H	I	J	K	L UNC-2B	O-RING			SHCS
CODE 61 NPTF THREAD																		
1/2"	F43-8-8-U	F104-8-8	NPT 1/2"	0.51	1.50	2.13	0.69	1.81	1.42	0.63	0.75	1/2-14	0.35	5/16-18	210	5/16-18X1.25	0.55	4980
3/4"	F43-12-12-U	F104-12-12	NPT 3/4"	0.75	1.88	2.56	0.88	1.97	1.42	0.71	0.75	3/4-14	0.43	3/8-16	214	3/8-16X1.50	0.86	4980
1"	F43-16-16-U	F104-16-16	NPT 1"	0.98	2.06	2.76	1.03	2.17	1.50	0.71	0.87	1-11.5	0.43	3/8-16	219	3/8-16X1.50	1.08	4480
1-1/4"	F43-20-20-U	F104-20-20	NPT 1-1/4"	1.26	2.31	3.11	1.19	2.68	1.61	0.83	0.87	1-1/4-11.5	0.45	7/16-14	222	7/16-14X1.75	1.57	3560
1-1/2"	F43-24-24-U	F104-24-24	NPT 1-1/2"	1.50	2.75	3.66	1.41	3.07	1.77	0.98	0.94	1-1/2-11.5	0.53	1/2-13	225	1/2-13X1.75	2.49	2840
2"	F43-32-32-U	F104-32-32	NPT 2"	2.01	3.06	4.02	1.69	3.54	1.77	0.98	1.18	2-11.5	0.53	1/2-13	228	1/2-13X1.75	2.87	2840
2-1/2"	F43-40-40-U	F104-40-40	NPT 2-1/2"	2.48	3.50	4.49	2.00	4.13	1.97	0.98	1.18	2-1/2-8	0.53	1/2-13	232	1/2-13X1.75	3.97	2280
3"	F43-48-48-U	F104-48-48	NPT 3"	2.87	4.19	5.28	2.44	4.88	1.97	1.06	1.34	3-8	0.67	5/8-11	237	5/8-11X2.00	5.07	1960
CODE 62 NPTF THREAD																		
1/2"	F44-8-8-U	F45-8-8	NPT 1/2"	0.51	1.59	2.20	0.72	1.89	1.42	0.63	0.75	1/2-14	0.35	5/16-18	210	5/16-18X1.25	0.66	5690
3/4"	F44-12-12-U	F45-12-12	NPT 3/4"	0.75	2.00	2.80	0.94	2.17	1.38	0.83	0.87	3/4-14	0.43	3/8-16	214	3/8-16X1.50	0.79	5690
1"	F44-16-16-U	F45-16-16	NPT 1"	0.98	2.25	3.19	1.09	2.56	1.65	0.98	0.87	1-11.5	0.51	7/16-14	219	7/16-14X1.75	1.87	5690
1-1/4"	F44-20-20-U	F45-20-20	NPT 1-1/4"	1.26	2.63	3.74	1.25	3.07	1.77	1.06	0.98	1-1/4-11.5	0.59	1/2-13	222	1/2-13X1.75	2.67	5690
1-1/2"	F44-24-24-U	F45-24-24	NPT 1-1/2"	1.50	3.13	4.41	1.44	3.70	1.97	1.18	1.10	1-1/2-11.5	0.67	5/8-11	225	5/8-11X2.25	4.19	5690
2"	F44-32-32-U	F45-32-32	NPT 2"	2.01	3.81	5.28	1.75	4.49	2.56	1.46	1.26	2-11.5	0.83	3/4-10	228	3/4-10X2.75	7.50	5690

SAE Female Threaded Flange with UN/UNF thread



O-RING
Fig 1

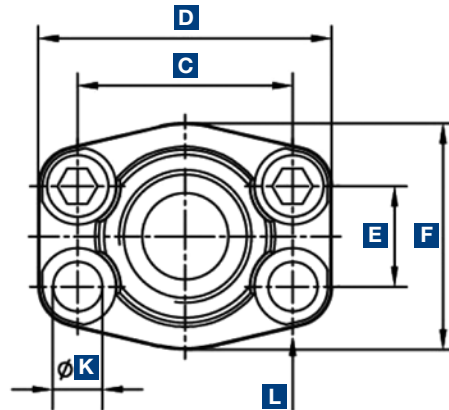
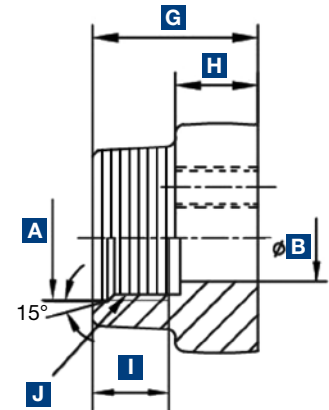


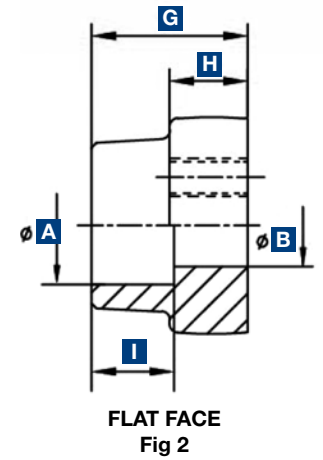
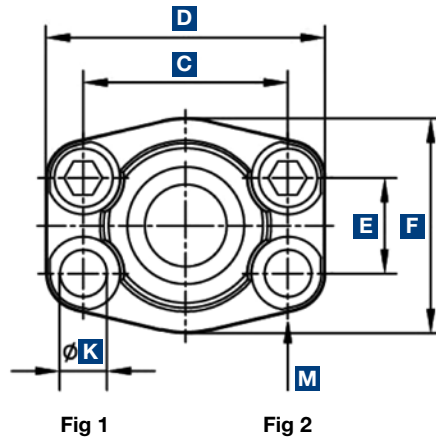
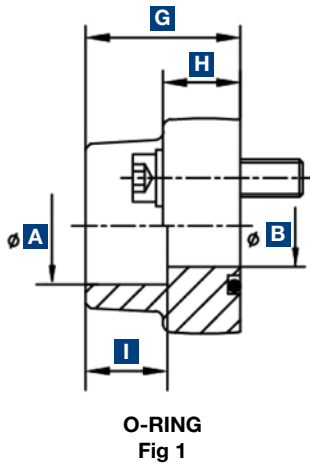
Fig 1 Fig 2



FLAT FACE
Fig 2

- O-Ring flange includes:
O-Ring, 4 bolts and lock washers.

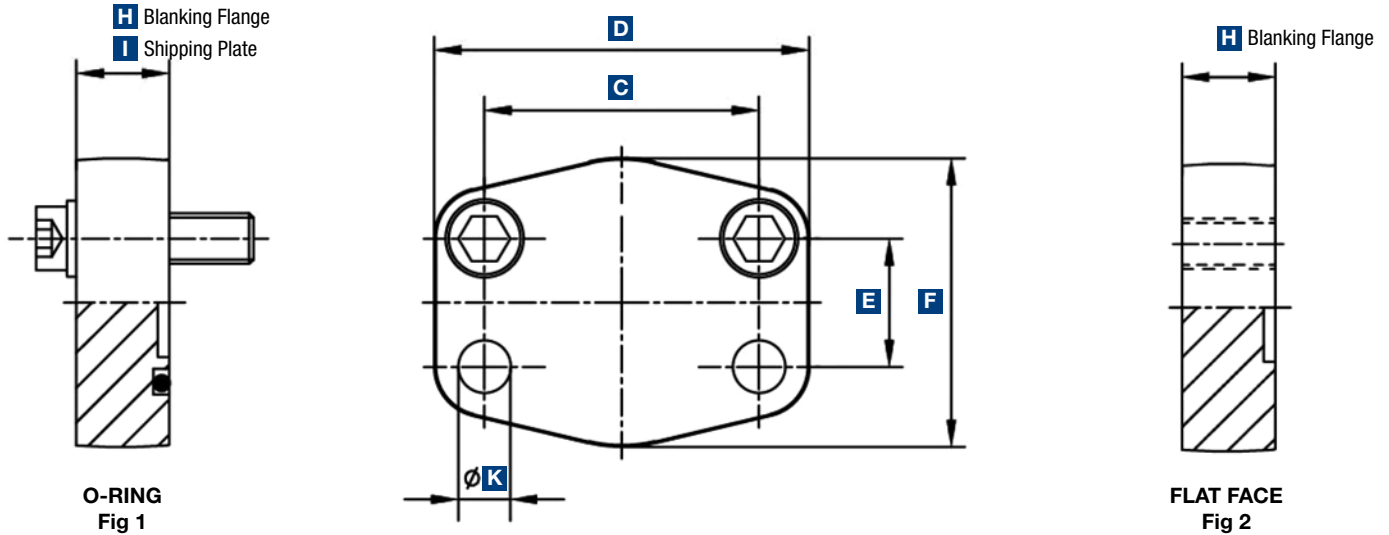
SIZE (in.)	O-RING PART NO. Fig 1	FLAT FACE PART NO. Fig 2	DIMENSIONS (in.)												MOUNTING HARDWARE		WT (lbs)	MAX WP (psi)
			A	B	C	D	E	F	G	H	I	K	J	L UNC-2B	O-RING	SHCS		
CODE 61 SAE STRAIGHT THREAD																		
1/2"	F46-8-8-U	F106-8-8	3/4"-16UNF	0.51	1.50	2.13	0.69	1.81	1.42	0.63	0.67	0.35	3/4-16	5/16-18	210	5/16-18X1.25	0.57	4980
3/4"	F46-12-12-U	F106-12-12	1-1/16"-12UN	0.75	1.88	2.56	0.88	1.97	1.42	0.71	0.91	0.43	1-1/16-12	3/8-16	214	3/8-16X1.50	0.79	4980
1"	F46-16-16-U	F106-16-16	1-5/16"-12UN	0.98	2.06	2.76	1.03	2.17	1.50	0.71	0.91	0.43	1-5/16-12	3/8-16	219	3/8-16X1.50	0.95	4480
1-1/4"	F46-20-20-U	F106-20-20	1-5/8"-12UN	1.26	2.31	3.11	1.19	2.68	1.61	0.83	0.91	0.45	1-5/8-12	7/16-14	222	7/16-14X1.75	1.41	3560
1-1/2"	F46-24-24-U	F106-24-24	1-7/8"-12UN	1.50	2.75	3.66	1.41	3.07	1.77	0.98	0.91	0.53	1-7/8-12	1/2-13	225	1/2-13X1.75	2.20	2840
2"	F46-32-32-U	F106-32-32	2-1/2"-12UN	2.01	3.06	4.02	1.69	3.54	1.77	0.98	0.91	0.53	2-1/2-12	1/2-13	228	1/2-13X1.75	2.51	1000
2-1/2"	F46-40-40-U	F106-40-40	3"-12UN	2.48	3.50	4.49	2.00	4.13	1.97	0.98	1.18	0.53	3-12	1/2-13	232	1/2-13X1.75	3.53	1000
3"	F46-48-48-U	F106-48-48	3-1/2"-12UN	2.87	4.19	5.28	2.44	4.88	1.97	1.06	1.34	0.67	3-1/2-12	5/8-11	237	5/8-11X2.00	5.07	1000
4"	F46-64-64-U	F106-64-64	4-1/2"-12UN	3.90	5.13	6.38	3.06	5.75	1.89	1.06	1.34	0.67	4-1/2-12	5/8-11	245	5/8-11X2.00	6.39	1000
CODE 62 SAE STRAIGHT THREAD																		
1/2"	F48-8-8-U	F49-8-8	3/4"-16UNF	0.51	1.59	2.20	0.72	1.89	1.42	0.63	0.67	0.35	3/4-16	5/16-18	210	5/16-18X1.25	0.68	5690
3/4"	F48-12-12-U	F49-12-12	1-1/16"-12UN	0.75	2.00	2.80	0.94	2.17	1.38	0.83	0.91	0.43	1-1/16-12	3/8-16	214	3/8-16X1.50	1.10	5690
1"	F48-16-16-U	F49-16-16	1-5/16"-12UN	0.98	2.25	3.19	1.09	2.56	1.65	0.98	0.91	0.51	1-5/16-12	7/16-14	219	7/16-14X1.75	1.72	5690
1-1/4"	F48-20-20-U	F49-20-20	1-5/8"-12UN	1.26	2.63	3.74	1.25	3.07	1.77	1.06	0.91	0.59	1-5/8-12	1/2-13	222	1/2-13X1.75	2.54	5690
1-1/2"	F48-24-24-U	F49-24-24	1-7/8"-12UN	1.50	3.13	4.41	1.44	3.70	1.97	1.18	0.91	0.67	1-7/8-12	5/8-11	225	5/8-11X2.25	4.01	5690
2"	F48-32-32-U	F49-32-32	2-1/2"-12UN	2.01	3.81	5.28	1.75	4.49	2.56	1.46	0.91	0.83	2-1/2-12	3/4-10	228	3/4-10X2.75	6.88	5690



- O-Ring flange includes:
O-Ring, 4 bolts and lock washers.

SIZE (in.)	O-RING PART NO. Fig 1	FLAT FACE PART NO. Fig 2	DIMENSIONS (in.)											MOUNTING HARDWARE		WT (lbs)	MAX WP (psi)
			A	B	C	D	E	F	G	H	I	K	M UNC-2B	O-RING	SHCS		
CODE 61																	
1/2"	F31-8-8-U	F3-8-8	0.85	0.51	1.50	2.13	0.69	1.81	1.42	0.63	0.75	0.35	5/16-18	210	5/16-18X1.25	0.55	4980
3/4"	F31-12-12-U	F3-12-12	1.07	0.75	1.88	2.56	0.88	1.97	1.42	0.71	0.75	0.43	3/8-16	214	3/8-16X1.50	0.86	4980
1"	F31-16-16-U	F3-16-16	1.34	0.98	2.06	2.76	1.03	2.17	1.50	0.71	0.75	0.43	3/8-16	219	3/8-16X1.50	1.08	4480
1-1/4"	F31-20-20-U	F3-20-20	1.69	1.26	2.31	3.11	1.19	2.68	1.61	0.83	0.87	0.45	7/16-14	222	7/16-14X1.75	1.57	3560
1-1/2"	F31-24-24-U	F3-24-24	1.91	1.50	2.75	3.66	1.41	3.07	1.77	0.98	0.94	0.53	1/2-13	225	1/2-13X1.75	2.49	2840
2"	F31-32-32-U	F3-32-32	2.40	2.01	3.06	4.02	1.69	3.54	1.77	0.98	1.02	0.53	1/2-13	228	1/2-13X1.75	2.87	2840
2-1/2"	F31-40-40-U	F3-40-40	3.09	2.48	3.50	4.49	2.00	4.17	1.97	0.98	1.18	0.53	1/2-13	232	1/2-13X1.75	3.53	2280
3"	F31-48-48-U	F3-48-48	3.56	2.87	4.19	5.28	2.44	4.88	1.97	1.06	1.34	0.67	5/8-11	237	5/8-11X2.00	5.07	1960
3-1/2"	F31-56-56-U	F3-56-56	4.06	3.50	4.75	5.98	2.75	5.35	1.89	1.06	1.34	0.67	5/8-11	241	5/8-11X2.75	5.51	500
4"	F31-64-64-U	F3-64-64	4.55	3.90	5.13	6.38	3.06	5.83	1.89	1.06	1.34	0.67	5/8-11	245	5/8-11X2.75	6.39	500
5"	F31-80-80-U	F3-80-80	5.59	4.72	6.00	7.24	3.63	7.09	1.97	1.14	1.10	0.67	5/8-11	253	5/8-11X3.00	8.82	500
CODE 62																	
1/2"	F81-8-8-U	F80-8-8	0.85	0.51	1.59	2.20	0.72	1.89	1.42	0.63	0.75	0.35	5/16-18	210	5/16-18X1.25	0.66	5690
3/4"	F81-12-12-U	F80-12-12	1.07	0.75	2.00	2.80	0.94	2.17	1.38	0.83	0.87	0.43	3/8-16	214	3/8-16X1.50	1.23	5690
1"	F81-16-16-U	F80-16-16	1.34	0.98	2.25	3.19	1.09	2.56	1.65	0.98	0.87	0.51	7/16-14	219	7/16-14X1.75	1.87	5690
1-1/4"	F81-20-20-U	F80-20-20	1.69	1.26	2.63	3.74	1.25	3.07	1.77	1.06	0.98	0.59	1/2-13	222	1/2-13X1.75	2.67	5690
1-1/2"	F81-24-24-U	F80-24-24	1.91	1.50	3.13	4.41	1.44	3.70	1.97	1.18	1.10	0.67	5/8-11	225	5/8-11X2.25	4.19	5690
2"	F81-32-32-U	F80-32-32	2.40	2.01	3.81	5.28	1.75	4.49	2.56	1.46	1.26	0.83	3/4-10	228	3/4-10X2.75	7.50	5690
2-1/2"	F81-40-40-U	F80-40-40	3.09	2.48	4.88	7.09	2.31	5.98	3.15	1.77	1.18	0.98	7/8-9	232	7/8-9X3.50	18.30	5690
3"	F81-48-48-U	F80-48-48	3.56	2.87	6.00	8.19	2.81	7.01	3.54	2.17	1.18	1.26	1-1/8-7	237	1-1/8-7X4.50	36.38	5690

SAE Blanking Flange O-PSI Shipping Plate



SIZE (in.)	O-RING PART NO. Fig 1	FLAT FACE PART NO. Fig 1 to 2	O-PSI SHIPPING PLATE O-RING KIT PART NO.	DIMENSIONS (in.)							MOUNTING HARDWARE		WT (lbs)	MAX WP (psi)
				C	D	E	F	H	I	K	O-RING	SHCS		
CODE 61														
1/2"	F36-8-8-U	F37-8-8	FSP-8-U	1.50	2.13	0.69	1.81	0.63	0.32	0.35	210	5/16-18X1.50	0.53	4980
3/4"	F36-12-12-U	F37-12-12	FSP-12-U	1.88	2.56	0.88	1.97	0.63	0.32	0.43	214	3/8-16X1.50	0.66	4980
1"	F36-16-16-U	F37-16-16	FSP-16-U	2.06	2.76	1.03	2.36	0.75	0.32	0.43	219	3/8-16X1.75	0.99	4480
1-1/4"	F36-20-20-U	F37-20-20	FSP-20-U	2.31	3.11	1.19	2.68	0.71	0.32	0.45	222	7/16-14X1.75	1.32	3560
1-1/2"	F36-24-24-U	F37-24-24	FSP-24-U	2.75	3.66	1.41	3.07	0.79	0.32	0.53	225	1/2-13X2.25	1.83	2840
2"	F36-32-32-U	F37-32-32	FSP-32-U	3.06	4.02	1.69	3.54	0.79	0.32	0.53	228	1/2-13X2.50	2.56	2840
2-1/2"	F36-40-40-U	F37-40-40	FSP-40-U	3.50	4.49	2.00	4.13	0.79	0.32	0.53	232	1/2-13X2.75	3.09	2130
3"	F36-48-48-U	F37-48-48	FSP-48-U	4.19	5.28	2.44	4.88	0.94	0.32	0.69	237	5/8-11X3.50	5.18	1960
3-1/2"	F36-56-56-U	F37-56-56	FSP-56-U	4.75	5.98	2.75	5.35	0.87	0.32	0.69	241	5/8-11X2.75	7.05	500
4"	F36-64-64-U	F37-64-64	FSP-64-U	5.13	6.38	3.06	5.75	0.98	0.32	0.69	245	5/8-11X2.75	8.38	500
5"	F35-80-80-U	F37-80-80	FSP-80-U	6.00	7.48	3.63	6.69	1.10	0.32	0.69	253	5/8-11X3.00	9.26	500
CODE 62														
1/2"	F38-8-8-U	F39-8-8	FSPX-8-U	1.59	2.20	0.72	1.89	0.63	0.32	0.35	210	5/16-18X2.00	0.55	5690
3/4"	F38-12-12-U	F39-12-12	FSPX-12-U	2.00	2.80	0.94	2.36	0.75	0.32	0.43	214	3/8-16X2.00	1.06	5690
1"	F38-16-16-U	F39-16-16	FSPX-16-U	2.25	3.19	1.09	2.76	0.94	0.32	0.51	219	7/16-14X2.50	1.70	5690
1-1/4"	F38-20-20-U	F39-20-20	FSPX-20-U	2.63	3.74	1.25	3.07	1.06	0.32	0.59	222	1/2-13X2.50	2.49	5690
1-1/2"	F38-24-24-U	F39-24-24	FSPX-24-U	3.13	4.41	1.44	3.70	1.18	0.32	0.67	225	5/8-11X3.00	3.97	5690
2"	F38-32-32-U	F39-32-32	FSPX-32-U	3.81	5.28	1.75	4.49	1.10	0.32	0.83	228	3/4-10X3.00	5.29	5690
2-1/2"	F38-40-40-U	F39-40-40	FSPX-40-U	4.88	7.09	2.31	5.98	1.77	0.32	1.02	232	7/8-9X3.50	11.68	5690
3"	F38-48-48-U	F39-48-48	FSPX-48-U	6.00	8.19	2.81	7.01	2.17	0.32	1.26	237	1-1/8-7X4.50	19.84	5690