

DESCRIPTION

■ Anfield Hydraulic Gear dividers work from a single pump source to:

- 1) Synchronize operation of multiple cylinders or fluid motors.
- 2) Intensify pressure when pressure higher than pump capacity is required.
- 3) Proportionally divide pump flow out among several circuits.

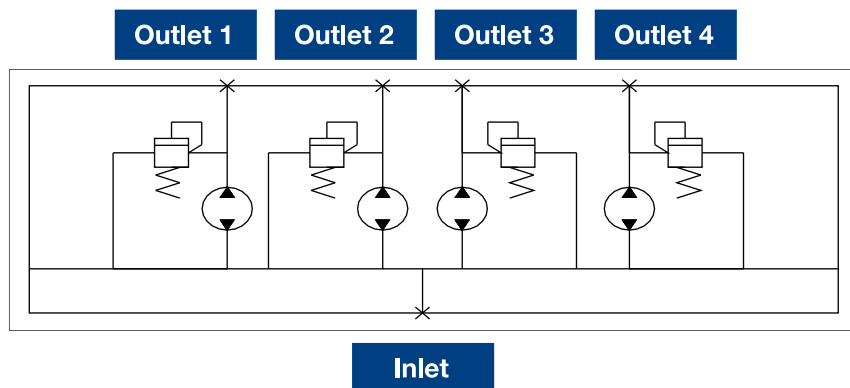


■ AFD1 Series displacement: 1.60 cm³ to 8.42 cm³ per section

■ AFD2 Series displacement: 6 cm³ to 31 cm³ per section

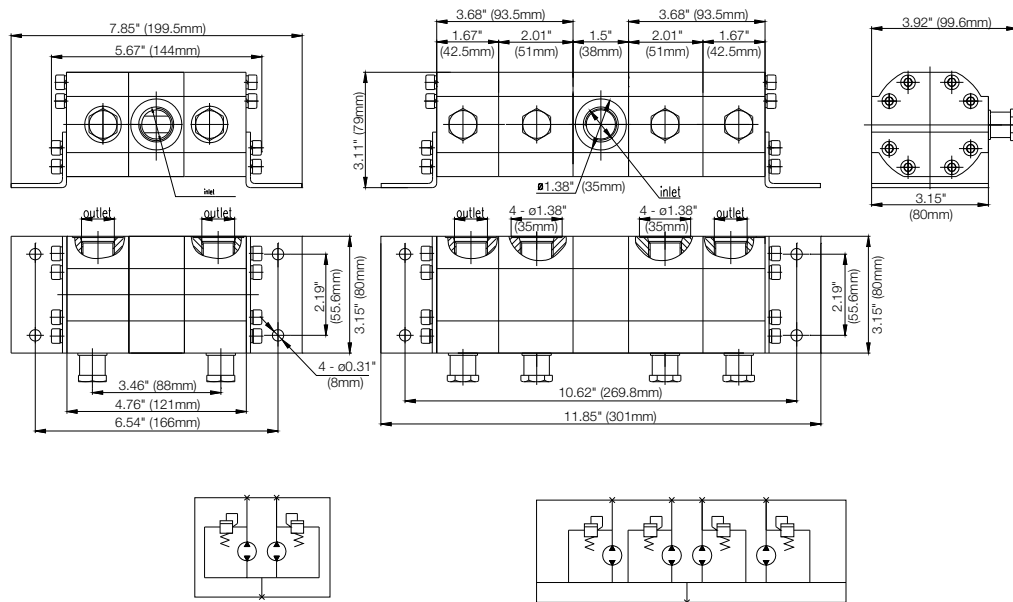
TECHNICAL DATA

- Housing: Aluminum
- Filtration: 25 micron or better
- Fluid: Hydraulic Fluid HLP mineral Oil DIN 51524 Part2
- Flow Accuracy: +/- 1.5%-2%
- Pressure Drop: 230-275 PSI (16-19 BAR)



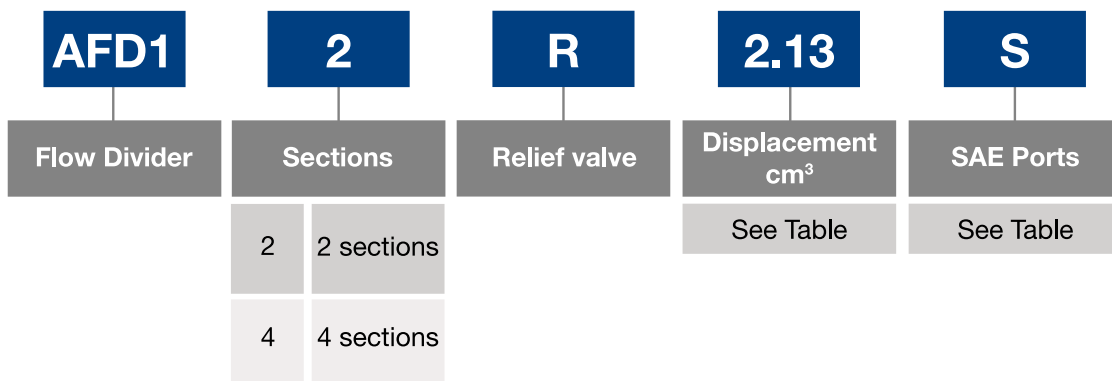
See next pages for dimensions and ordering information for AFD1.

DIMENSIONS



Displacement per section		SAE Port		Min. Flow/sec		Max. Flow/sec		Cont. Diff. Between Pressure Inlet/Outlet		Maximum Outlet Pressure any section	
cm ³ /rev	cu.in/rev	Inlet	Outlet	LPM	GPM	LPM	GPM	PSI	BAR	PSI	BAR
1.60	0.097	SAE8	SAE6	3.0	0.8	6.4	1.7	1800	124	3500	240
2.13	0.129	SAE8	SAE6	4.5	1.2	9.5	2.5	1800	124	3500	240
3.18	0.194	SAE8	SAE6	6.4	1.7	13.2	4.5	1800	124	3500	240
4.24	0.258	SAE10	SAE10	9.5	2.5	18.9	5.0	1800	124	3500	240
5.29	0.323	SAE10	SAE10	11.4	3.0	22.7	6.0	1800	124	3500	240
6.36	0.388	SAE10	SAE10	13.2	3.5	26.5	7.0	1600	110	3500	240
7.42	0.483	SAE10	SAE10	15.1	4.0	30.3	8.0	1300	90	3500	240
8.42	0.517	SAE10	SAE10	17.0	4.5	34.1	9.0	1200	83	3500	240

ORDERING INFORMATION

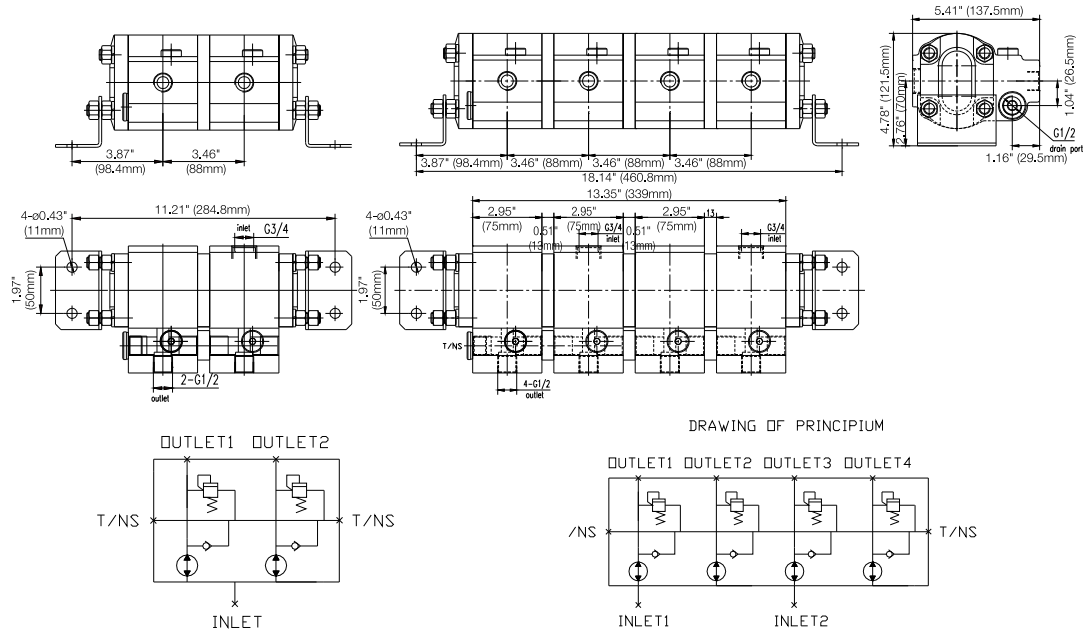


AFD2 Series Rotary Gear Flow Dividers

Displacement up to 31 cm³ per section



DIMENSIONS



Displacement per section		SAE Port			Min. Flow/sec		Max. Flow/sec		Cont. Diff. Between Pressure Inlet/Outlet		Maximum Outlet Pressure any section	
cm ³ /rev	cu.in/rev	Inlet	Outlet	Drain	LPM	GPM	LPM	GPM	PSI	BAR	PSI	BAR
6	0.366	SAE10	SAE8	SAE6	3.0-16	0.8-4.2	18	4.8	3142	220	3571	250
8	0.488	SAE10	SAE8	SAE6	4.0-19	1.1-5.0	22	5.8	3142	220	3571	250
11	0.671	SAE10	SAE8	SAE6	5.5-25	1.5-6.6	27	7.1	3142	220	3571	250
14	0.854	SAE10	SAE8	SAE6	7.0-32	1.8-8.4	34	9.0	2857	200	3142	220
17	1.037	SAE12	SAE8	SAE6	8.5-34	2.2-9.0	37	9.8	2857	200	3142	220
25	1.525	SAE12	SAE8	SAE6	12-48	3.1-	53	14	2857	200	3142	220
31	1.891	SAE12	SAE8	SAE6	14-60	3.7-	70	18.5	2286	160	2571	180

ORDERING INFORMATION

