

SPECIFICATIONS

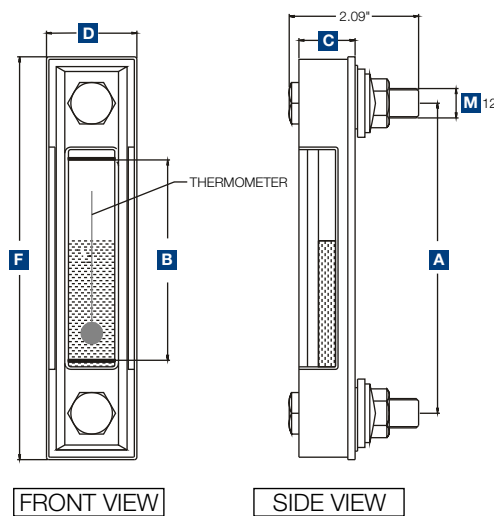
- O-Ring type construction / sturdy die-cast cover
- 3 sizes: 3", 5", and 10" between bolt centers
- For non-pressurized tanks only
- Can be mounted on tapped holes
- Suitable for mineral/petroleum-based oils
- Maximum temperature: 176°F



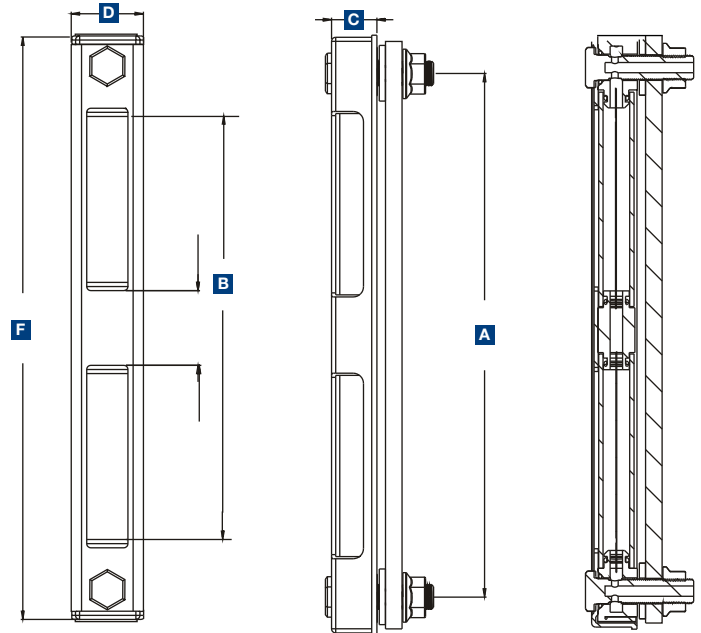
MODEL LGB

DIMENSIONS

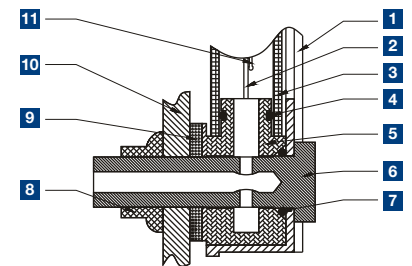
LGB 03 and 05



LGB 10



Model	A (in)	B (in)	C (in)	D (in)	F (in)	Wt (lbs)
LGB 03	3.00	1.26	0.91	1.38	4.37	0.51
LGB 05	5.00	2.99	0.91	1.38	6.38	0.57
LGB 10	10.00	7.87	0.91	1.38	11.38	0.79



ORDERING INFORMATION

LGB	-	05	-	M12	-	T	-	A
Level Gauge series		Size		Mounting Method		Thermometer		Seals
		03 - 3"		M10 - Std - 3" (M10 x 1.5 bolt)		T - Thermometer		A - Buna
		05 - 5"		M12 - Std - 5" & 10" (M12 x 1.75 bolt)		S - No thermometer		B* - Viton
		10 - 10"		UNC* - (1/2" - 13)				

- 1 - Cover
- 2 - Indicator
- 3 - Tube
- 4 - O-Ring (13.0 I.D. x 2.6 c.s.d.)
- 5 - End piece
- 6 - Bolt M12
- 7 - O-Ring (13.0 I.D. x 3.0 c.s.d.)
- 8 - Nut (Flanged and serrated)
- 9 - Washer (27 O.D. 13.0 I.D. x 3 t)
- 10 - Tank Wall
- 11 - Thermometer (optional)

NOTE: Bolt torque to be limited to 3 ft. lbs.

*Option available via special order