



### DESCRIPTION

The TI2C piezoresistive ceramic pressure transducer provides a digital I<sup>2</sup>C interface. Calibrated and compensated -40°F to 257°F, this transducer is suitable for industrial and mobile applications. It has excellent resistance to corrosion, EMI certified and has excellent thermal compensation. It is an ideal product for smart systems and for any real time monitoring applications.

### FEATURES

- Digital Output
- Sleep mode
- Compact design

### APPLICATIONS

- IoT integration for remote control
- Real time monitoring
- Smart system designs

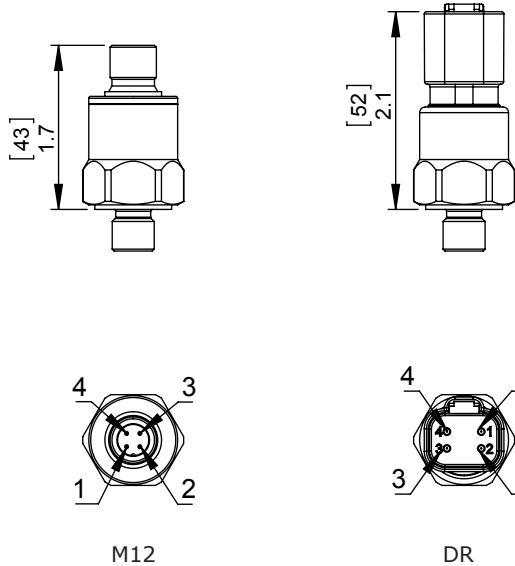
### Specifications

Pressure Range	15 psi to 5000 psi (1 Bar to 400 Bar)
Proof Pressure	140% to 200% FS based on range (consult factory)
Burst Pressure	180% to 400% FS based on range (consult factory)
Long Term Drift	<0.3% FS @ 77°F (25°C)
Compensated Temperatures	-40°F to 257°F (-40°C to 125°C)
Operating Temperatures	-13°F to 257°F (-25°C to 125°C)
Storage Temperature Rating	-40°F to 275°F (-40°C to 135°C)
Process Connection	SS304
Wetted Materials	Ceramic Al <sub>2</sub> O <sub>3</sub> NBR (Standard) or Optional: FKM,HNBR,EPDM
Vibration	10g (20-2000Hz) for ≤ 58 PSI (4 BAR) 20g (20 - 500Hz) for ranges > 58 PSI (4 BAR)
Shock	50g (11ms)
Supply Voltage	3.3V or 5V
Protection	Overvoltage, Short Circuit, Reverse Polarity Protection
Response Time	≤5ms
Ingress Protection	IP67
Compliance	IEC/EN 61000-4-3(2006) IEC/EN 61000-4-4(2004) IEC/EN 61000-4-5(2005) IEC/EN 61000-4-6(2006) ROHS
Weight	0.15 lbs (0.07kg)

# TI2C



## Dimensions



Connector	Output			
	VCC	SCL	SDA	GND
M12	1	2	4	3
DR	1	2	3	4

## Ordering Information

TI2C - 0150P - G - 1 - M12 - 4M - N - T1 - SR

Model:	Pressure Range:	Reference:	Supply Voltage:	Electrical Connection:	Process Connection:	Seal Material:	Accuracy:	Options:
TI2C	<b>0015P</b> - 15 PSI <b>0030P</b> - 30 PSI <b>0100P</b> - 100 PSI <b>0150P</b> - 150 PSI <b>0300P</b> - 300 PSI <b>0400P</b> - 400 PSI <b>0600P</b> - 600 PSI <b>1000P</b> - 1000 PSI <b>1500P</b> - 1500 PSI <b>3000P</b> - 3000 PSI <b>5000P</b> - 5000 PSI  <b>001B</b> - 1 BAR <b>002B</b> - 2 BAR <b>005B</b> - 5 BAR <b>010B</b> - 10 BAR <b>020B</b> - 20 BAR <b>050B</b> - 50 BAR <b>100B</b> - 100 BAR <b>200B</b> - 200 BAR <b>400B</b> - 400 BAR	<b>A</b> - Absolute (15 psi to 1000 psi) <b>G</b> - Gauge (15 psi to 1000 psi) <b>S</b> - Sealed (7.5 psi to 5000 psi)	<b>1</b> - I <sup>2</sup> C 3.3V <b>2</b> - I <sup>2</sup> C 5.0V	<b>M12</b> - M12, 4 pin <b>DR</b> - Deutsch Receptacle DT04-4P	<b>2M</b> - 1/8" NPT male <b>4M</b> - 1/4" NPT male <b>4G</b> - 1/4" BSPP male, G1/4 <b>4S</b> - 7/16-20 SAE male, with O-ring seal	<b>N</b> - NBR (Standard) <b>V</b> - VITON® <b>H</b> - HNBR <b>E</b> - EPDM	<b>T1</b> - 0.5% BFSL	<b>SR</b> - Snubber

\*Other material and options available upon request. Custom design available. Please consult factory.