

DESCRIPTION

- The AP-HFL series is a Hi/Lo gear pump that offer the same functionality as the AP-HL series but with flows up to 28 gpm at 3600 psi. It has a max pressure of 900 psi on the low pressure pump and 3000 psi for the high pressure pump. The standard mounting flange is a SAE-A 2 bolt.

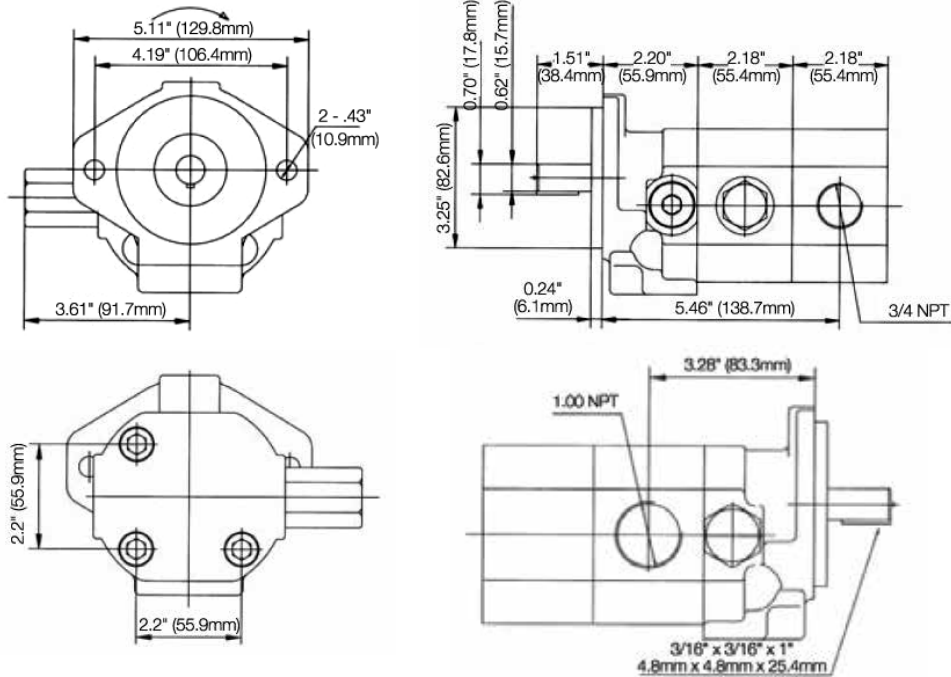


TECHNICAL DATA

- Filtration: 25 micron or better
- Oil Viscosity: 6 to 200 cSt
- Inlet Pressure: 12 to 32 psi absolute
- Temperature: Oil: -25°C to 80°C / -12°F to 175°F
Ambient: -22°C to 55°C / -8°F to 130°F
- Port Sizes: Inlet: 1" NPT
Outlet: 3/4" NPT
- Shaft: 5/8" dia.
1-1/2" length

Model	Input HP	Flow GPM	Pressure PSI		Displacement cu.in/rev		Speed RPM
		3600r/min	LO	HI	LO	HI	Max.
AP-HFL-22	12	22	400/900	3000	0.93	0.465	3600
AP-HFL-28	16	28	400/900	3000	1.395	0.465	3600

INSTALLATION DATA



- Weight: **AP-HFL-22:** 20 pounds
AP-HFL-28: 21 pounds

ORDERING INFORMATION

AP	HFL	28	P	R
Gear Pump	HI/LO Series	Nominal Flow GPM at 3600 rpm	Drive Shaft	Rotation Direction Viewed from drive shaft end
		See Table	P 5/8" Dia. Straight	R Clockwise L* Counter Clockwise <small>*Special Order</small>