

AP-PTO Gear Pump



DESCRIPTION

- AP-PTO is a PTO-driven gear pump constructed with cast iron and plates and is available with aluminum or cast iron gear section.
- Standard ports are **SAE-16 (1 5/16-12)** inlet and **SAE-12 (1 1/16-12)** outlet.

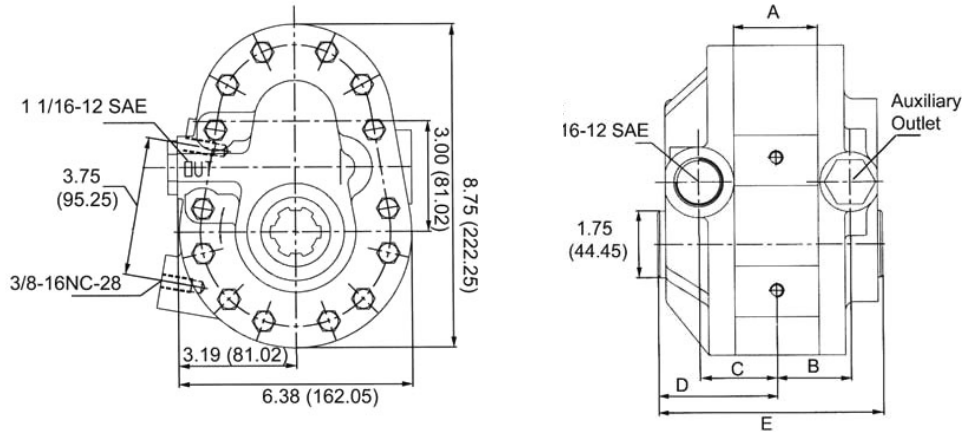


TECHNICAL DATA

- Displacement Size: 4 sizes from 3.41 to 9.76 cu. in/rev (56 to 160 ml/rev)
- Standard Drive: 1 3/8 diameter 6 tooth female spline
- Filtration: 10 micron or better
- Oil Viscosity: 6 to 200 cSt
- Inlet Pressure: 12 to 32 psi absolute
- Temperature: Oil: -25°C to 80°C / -12°F to 175°F
Ambient: -22°C to 55°C / -8°F to 130°F

Model	Displacement		Pressure		Speed RPM	Weight	
	cm3/rev	cu.in/rev	PSI	Bar	Rated	Lbs.	Kg
AP-PTO-9	160	9.76	2500	172.5	540	40	18
AP-PTO-7	125	7.62	2500	172.5	540	38	17
AP-PTO-5	90	5.50	2500	172.5	540	36	16
AP-PTO-5-21	90	5.50	2500	172.5	1000	36	16
AP-PTO-3	56	3.41	2500	172.5	540	33	15
AP-PTO-3-21	56	3.41	2500	172.5	1000	33	15

INSTALLATION DATA



Model	A		B		C		D		E	
	mm	in.	mm	in.	mm	in.	mm	in.	mm	in.
AP-PTO-9	60.3	2.37	53.1	2.09	55.6	2.19	85.1	3.35	161.3	6.35
AP-PTO-7	50.9	2.00	48.5	1.91	50.8	2.00	80.3	3.16	151.6	5.97
AP-PTO-5	41.25	1.62	43.7	1.72	46.0	1.81	75.4	2.97	142.2	5.60
AP-PTO-3	32.1	1.26	39.1	1.54	41.4	1.63	70.6	2.78	132.8	5.23

PERFORMANCE DATA

Model	RPM	500 PSI		1000 PSI		1500 PSI		2000 PSI	
		Input HP	GPM Output	Input HP	GPM Output	Input HP	GPM Output	Input HP	GPM Output
AP-PTO-9	540	8.40	21.10	16.10	20.70	23.80	20.70	32.10	20.70
AP-PTO-7	540	7.10	16.80	13.60	16.61	20.40	16.50	27.40	16.61
AP-PTO-5	540	4.90	11.77	9.30	11.50	13.80	11.19	18.10	11.00
AP-PTO-5-21	1000	9.30	22.58	17.40	22.20	25.90	21.81	34.30	21.62
AP-PTO-3	540	2.90	7.18	5.90	6.80	8.80	6.80	11.90	6.80
AP-PTO-3-21	1000	5.50	13.61	11.00	13.04	16.50	13.22	22.60	13.22

ORDERING INFORMATION

AP-PTO		A		9		6		S	
Series		Center Section		Displacement		Drive Required		Port Location	
PTO	PTO Driven	A	Aluminum	9	9.76 cu.in/rev	6	6 tooth spline	S	Side Port
		B	Cast Iron*	7	7.72 cu.in/rev	21	21 tooth spline*		
				5	5.50 cu.in/rev				
				3	3.41 cu.in/rev				

* Special order