

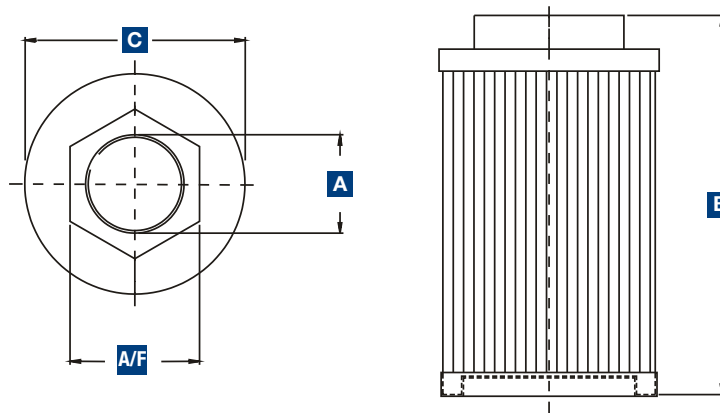
### SPECIFICATIONS

- Reusable stainless steel 100 mesh, 149 micron standard
- Nylon nut
- Steel cap / support tube
- Maximum working temperature: 176°F
- Suitable for hydraulic/mineral oils
- Consult factory for water application
- Flexible magnetic wrap available



**MODEL SE**

### DIMENSIONS



Model	Flow (gpm)	A Thread NPT (in)	B Overall Length (in)	C Dia. Nut Cap (in)	A/F Nut (in)	Screen Area (in <sup>2</sup> )	Wt (lbs)	Magnet Wrap
SE-005	5.28	1/2	3.11	2.68	0.98	62.00	0.44	1
SE-007	7.93	3/4	3.58	2.68	1.42	67.89	0.44	2
SE-010	10.57	1	5.39	2.68	1.61	110.05	0.66	2
SE-020	21.13	1-1/4	6.89	3.35	1.97	161.98	0.99	2
SE-030	31.70	1-1/2	8.11	3.35	2.32	224.91	1.21	2
SE-050	52.83	1-1/2	10.00	4.02	2.76	339.92	1.43	2
SE-051	52.83	2	10.00	4.02	2.76	339.92	1.76	3
SE-075	79.25	2-1/2	10.20	5.16	3.35	399.90	2.31	3
SE-100	105.70	3	11.81	5.16	3.78	499.88	3.00	3

### ORDERING INFORMATION

<b>SE</b>	-	<b>005</b>	-	<b>N</b>	-	<b>149</b>	-	<b>**</b>	-	<b>M</b>
Suction Strainer series		Size		Port Threads Connection <b>N</b> - NPT (Std)		Microns <b>149</b> - SS100 Mesh		Bypass <b>RB3</b> - 3 PSI Bypass (Optional)		Magnet Wrap <b>M</b> - Magnet Wrap (Optional)

Consult factory for optional/special features.