

DESCRIPTION

- AP-1 is an all aluminum construction, high pressure Hydraulic Gear Pump. The standard mounting flange is as detailed on the installation drawing and porting is any combination of rear, front or side as defined in the ordering example. The drive shaft options include flat tang or tapered keyed.



TECHNICAL DATA

- Filtration: 25 micron or better
- Oil Viscosity: 6 to 200 cSt
- Inlet Pressure: 12 to 32 psi absolute
- Temperature: Oil: -25°C to 80°C / -12°F to 175°F
Ambient: -22°C to 55°C / -8°F to 130°F

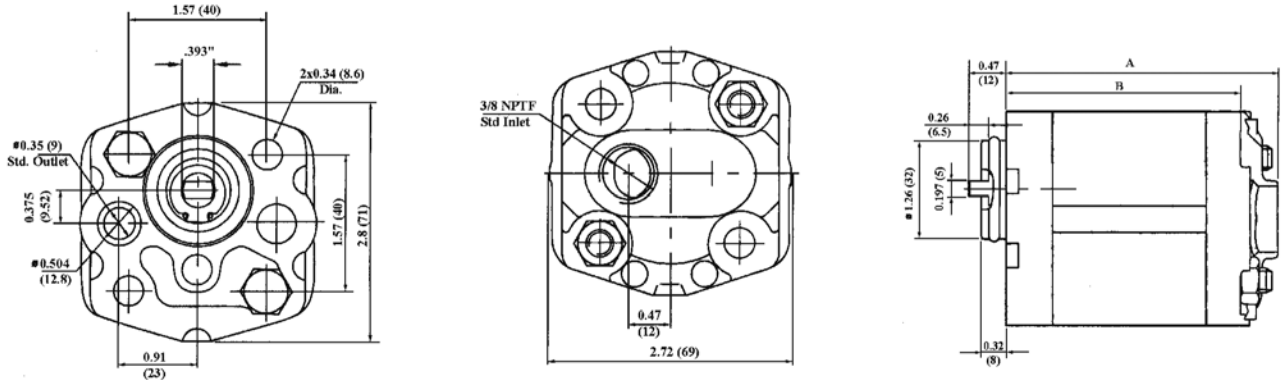
Model	Displacement		Pressure		Speed RPM		Weight	
	cm ³ /rev	cu.in/rev	PSI	BAR	Min.	Max.	Lbs.	Kg
AP-1-1.1	1.1	0.06	3650	250	600	6000	1.69	0.77
AP-1-1.3	1.3	0.07	3650	250	600	6000	1.73	0.79
AP-1-1.6	1.6	0.09	3650	250	600	6000	1.76	0.80
AP-1-1.8	1.8	0.10	3650	250	600	6000	1.78	0.81
AP-1-2.1	2.1	0.12	3650	250	600	6000	1.80	0.82
AP-1-2.7	2.7	0.16	3650	250	600	6000	1.87	0.85
AP-1-3.2	3.2	0.19	3650	250	600	5000	1.91	0.87
AP-1-3.7	3.7	0.22	3650	250	600	4500	1.98	0.90
AP-1-4.2	4.2	0.25	3650	250	600	4000	2.02	0.92
AP-1-4.8	4.8	0.29	2900	200	600	3500	2.09	0.95
AP-1-5.8	5.8	0.35	2900	200	600	2900	2.20	1.00
AP-1-8.0	8.0	0.48	2900	200	600	2100	2.42	1.10

- Flow rate in gpm - Displacement (cu.in/rev) X speed (rpm)/231
- Volumetric efficiency % >93

Hydraulic Gear Pump AP-1



INSTALLATION DATA



Model	A		B		Model	A		B	
	mm	inch	mm	inch		mm	inch	mm	inch
AP-1-1.1	74	2.91	62	2.44	AP-1-3.2	82	3.23	70	2.76
AP-1-1.3	75	2.95	63	2.48	AP-1-3.7	84	3.31	72	2.83
AP-1-1.6	76	2.99	64	2.52	AP-1-4.2	86	3.39	74	2.91
AP-1-1.8	77	3.03	65	2.56	AP-1-4.8	88	3.46	76	2.99
AP-1-2.1	78	3.07	66	2.60	AP-1-5.8	92	3.62	80	3.15
AP-1-2.7	80	3.15	68	2.68	AP-1-8.0	100	3.94	88	3.46

ORDERING INFORMATION

